

ZERO LINE

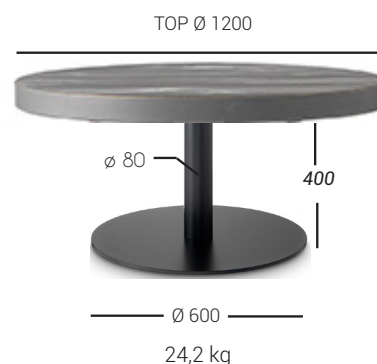
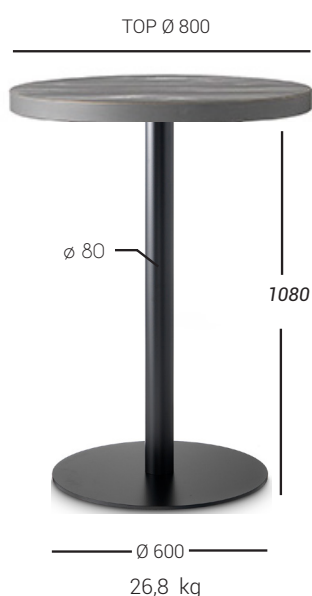
020 BASE

Stainless steel base composed of round steel ballast, steel column in round sections, "star" cross in die-cast aluminum or dial in aluminum for glass tops.



STANDARD HEIGHTS

dimensions in millimeters

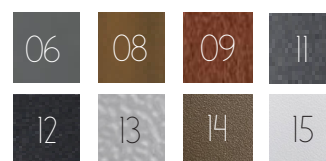


Standard steel finishes



* 03. Orange peel black.

Special PF painting finishes



* 05. Brushed industrial steel, 06. Wrinkle grey, 08. Corten, 09 Rust, 11. Graphite grey, 12. Carbon black, 13 Orange peel aluminium, 14. Wrinkle cappuccino, 15. Wrinkle white.

TECHNICAL FEATURES

- Painted steel ballast with epoxy dust
- Painted steel column
- "Star" cruise in die-cast aluminum
- Aluminum backing pad for glass top
- 4 PE caps

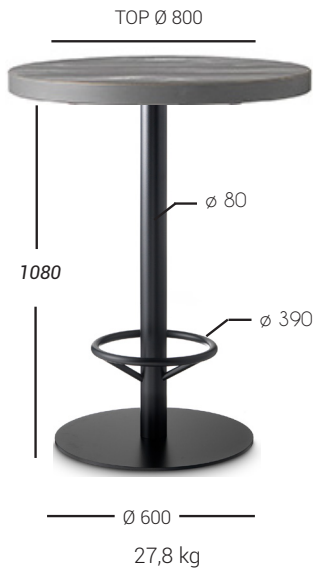
* see ['Warranty, maintenance and assistance'](#)

N.B: top measurements are indicative or recommended by PF STILE
N.B: the industrial finishes are made with artisan procedures and there can be variations in color from production to production

EXTRAS

- Painting in any RAL color
- Exterior finish *
- Transparent, opaque anti-finger painting polyester multipurpose
- Single cardboard packaging

- DREAM FOOTREST FOR BASE H 1080 MM



* see '[Warranty, maintenance and assistance](#)'

N.B: top measurements are indicative or recommended by PF STILE

N.B: the industrial finishes are made with artisan procedures and there can be variations in color from production to production