

HOPE LINE

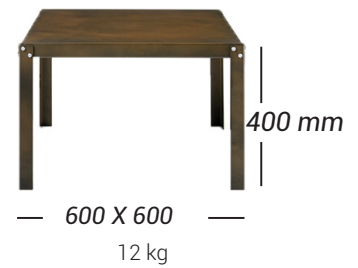
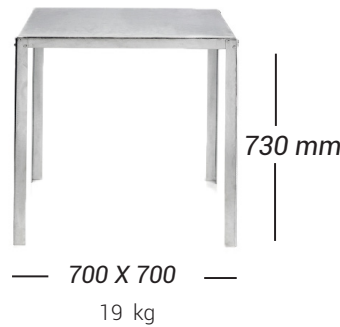
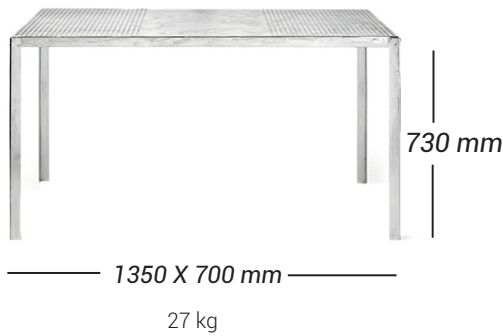
HOPE

PF STILE propose the HOPE table inspired by contemporary industrial style, characterised by visible screws, L-profile shape legs, folded-sheet steel top or shelf or full surface with a brushed finish intentionally left rough



STANDARD HEIGHTS

dimensions in millimeters

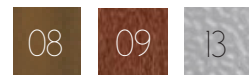


Standard steel finish



* 05. Brushed, 06. Wrinkle grey, 14. Wrinkle cappuccino, 15. Wrinkle white

Painting finishes Special PF



* 08. Corten, 09 Rust, 13 Orange peel aluminium



PF DETAIL



* see ['Warranty, maintenance and assistance'](#)

N.B: the industrial finishes are made with artisan procedures and there can be variations in color from production to production

TECHNICAL FEATURES

- Table in painted steel / galvanized painted steel / brushed galvanized painted steel
- legs with "L" profile
- boxed shelf
- visible screws
- completely removable
- ABS caps included

EXTRAS

- Configurations for H 1100:
 2. Footrest full or lined in mesh
 3. Object holder full or lined in mesh
 4. Carabiner hook hang bags

HOPE PLUS /A CONFIGURATION



standard

—700 X 700 mm—

15 kg



—700 X 700 mm—

15 kg



—700 X 700 mm—

15 kg

* see '[Warranty, maintenance and assistance](#)'

N.B: the industrial finishes are made with artisan procedures and there can be variations in color from production to production